

## ZMKD21-61DAS Series Hall Current Sensor

Hall current sensor uses Hall effect principle to measure DC, AC, pulse and various irregular waveform currents under the condition that the original and secondary sides are completely isolated.



RoHS



### Feature

- Hall effect measurement principle
- Meet UL94-V0 standard

### Advantage

- Easy to install
- Low power consumption
- Wide measuring range
- High precision and good linearity
- Low temperature drift
- Strong anti-interference ability
- Strong overload capability

### Application

- AC frequency conversion speed control device
- Photovoltaic DC cabinet
- UPS uninterruptible power supply
- SMPS Switched Mode Power Supplies
- Power DC screen
- Wind power pitch
- Industrial grade

### Performance parameter

#### Electrical parameters

Rated current rms	I <sub>pn</sub>	50A	100A	200A	300A	400A	600A
Measuring range	I <sub>pm</sub>	150A	300A	600A	900A	900A	900A
Rated output @I <sub>p</sub>	V <sub>o</sub>	4V					
Load Resistance	R <sub>L</sub>	>10KΩ					
Supply Voltage	U <sub>c</sub>	±12V~±15V					
Current consumption	I <sub>c</sub>	≤15mA					
Insulation voltage	V <sub>d</sub>	2.5kVAC/50Hz/1min					

#### Dynamic parameter

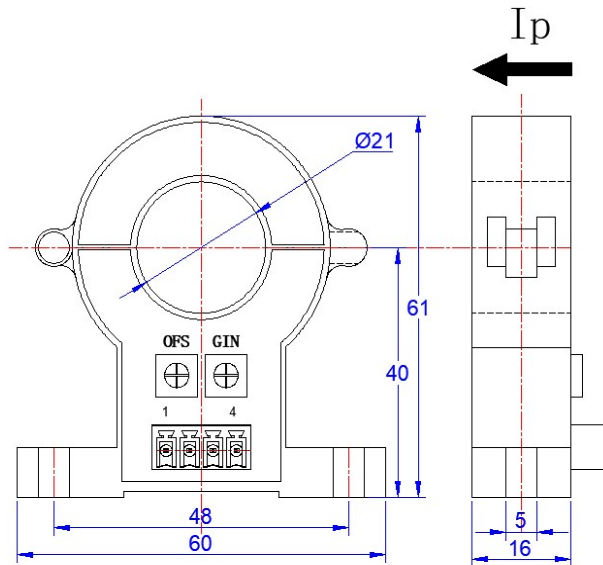
Precision (@I <sub>pn</sub> , Ta=25°C)	X <sub>G</sub>	<±1.0%					
Linearity (@Ta=25°C)	E <sub>r</sub>	<±1.0%FS					
Zero offset voltage (@Ta=25°C, I <sub>p</sub> =0)	V <sub>oE</sub>	<±25mV					
Magnetic offset voltage(I <sub>pn</sub> >0)	V <sub>oH</sub>	<±25mV					
Zero temperature drift	TCV <sub>oE</sub>	<±1.0mV/°C					
Response time	T <sub>r</sub>	<5us					
Following accuracy	di/dt	>100A/us					
bandwidth (@-3dB)	BW	DC~20kHz					

#### General parameters

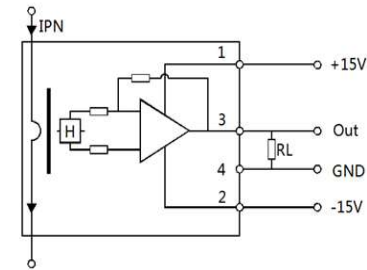
Ambient operating temperature	T <sub>a</sub>	-40~+85°C					
Ambient storage temperature	T <sub>s</sub>	-55~+125°C					
Weight	m	70g					
Case material		PBT G30/G15 UL94-V0					
Executive standard		EN50178:1998 IEC60950-1:2001 SJ20790-2000					

## structure

Unit: mm



## Instructions



1. The direction of the current should be the same as the direction of the arrow of the casing;
2. Please refer to the wiring definition on the physical shell, the wrong wiring will damaged module;
3. In order to obtain better dynamic characteristics and sensitivity, it is recommended to use a single turn wire and the wire fills the module through the wire hole best;
4. The primary side wire temperature should not exceed 100 °C;
5. The above parameters are standard specifications, and the products can be customized according to customer needs.