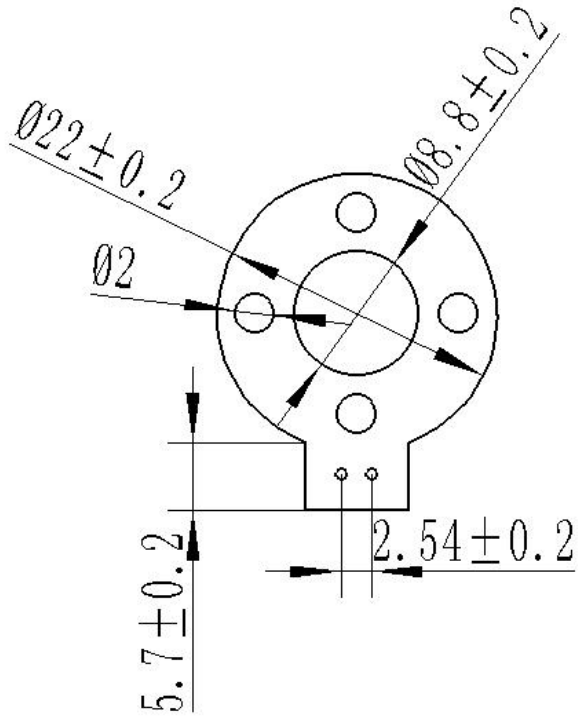


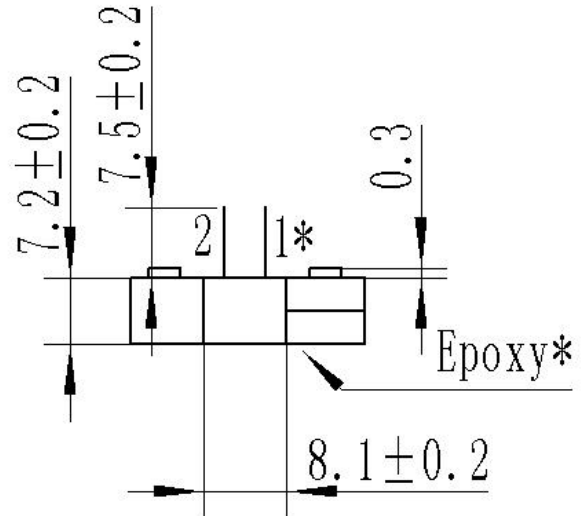
ZMCT350B-3 Current Transformer

Small size, high accuracy, good consistency, for current measurement

Structural parameters:



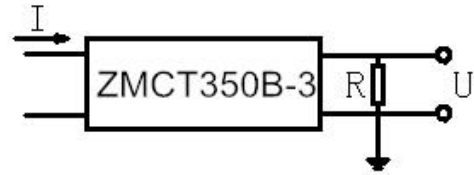
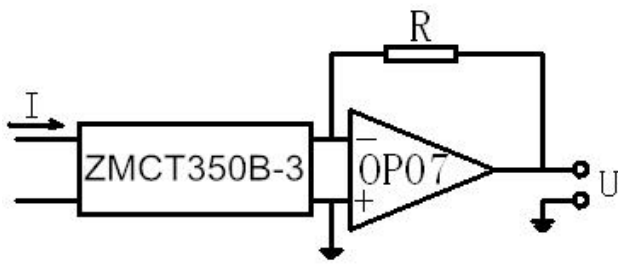
Front view



Bottom view

The main technical parameters:

Model	ZMCT350B-3
input current	0~19A (sampling resistor 44Ω)
Rated output current	5mA at input 5A
turns ratio	1000:1
phase angle error	≤60' (input 5A, sampling resistor 44Ω)
linearity	0.2% (5%~120%)
Accuracy class	0.5 class (input 5A, sampling resistor 44Ω)
isolation voltage	3000V
application	measurement
Encapsulation	Epoxy
installation	PCB mounting
operating temperature	-40℃~+85℃

Direction for use:

$$U = \frac{I}{1000} \cdot R$$

I: input current

R: sampling resistor

U: sampling voltage

ZMCT350B-3 used for measurement. Typical usage is shown in Figure 1 and Figure 2. R is a sampling resistor.

MATERIAL LIST:

NO.	Material	Spec, model	UL code	SGS
1	Epoxy coated Nanocrystalline core	1K107, $\varnothing 12 \times 19 \times 3.7$	—	yes
2	Enameled wire (Winding wire)	2UEW $\varnothing 0.098$, 1000T	E258243	yes
3	Tape	Flame retardant, Environmental protection, V0 105 degrees, (Plaster)Yellow Glue	E165111	yes
4	Fills and seals material	TXH-9201-10 epoxy resin insulating compound	E196959	yes
5	Outer covering	SF-286#, PBT Environmental protection	E238981	yes
6	Cited Needle	$\varnothing 0.8$	—	yes
7	Solder	YTB101	—	yes