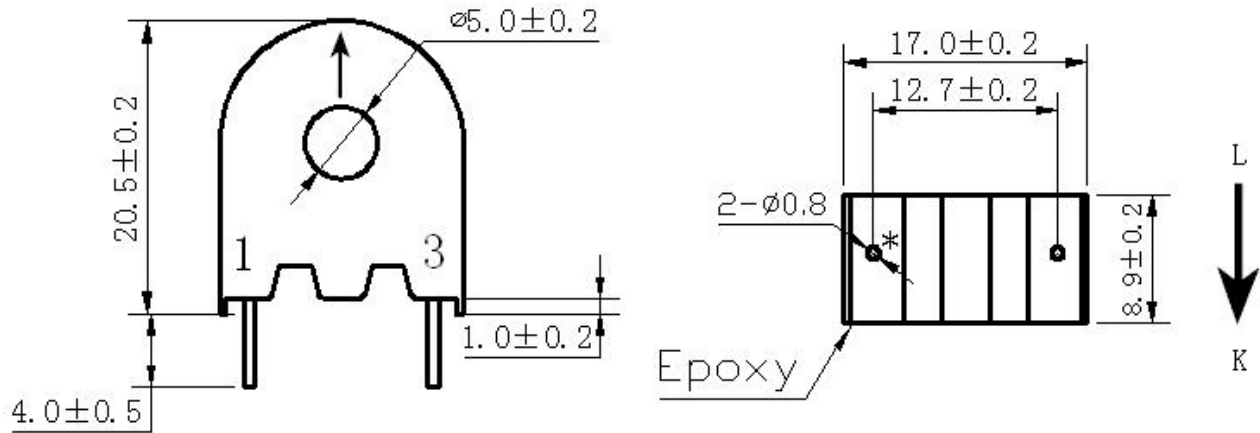


# ZMCT206-1000A Current Transformer

Small size,high accuracy,good consistency,for current and power measurement

## Structural parameter:



Front view

Bottom view

## The main technical parameters:

Model	ZMCT206-1000A
input current	0-20A (10Ω)
Output current	10mA at 10A
turns ratio	1000:1
phase angle error	≤30' (input 10A, sampling resistor 10Ω)
linearity	0.2% (5%~120% of 10A)
Permissible error	-0.2%≤f≤+0.2% (input 10A, sampling resistor 10Ω)
application	current and power measurement
isolation voltage	4000V, 50HZ, 60S
Encapsulation	Epoxy
installation	PCB mounting (Pin length>3mm)
operating temperature	-40℃~+85℃
Storage temperature	-40℃~+125℃
Working frequency	50/60HZ
Approx. weight	5.5g

Direction for use:

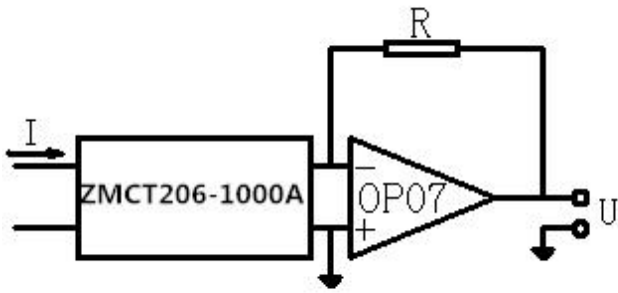


Figure I

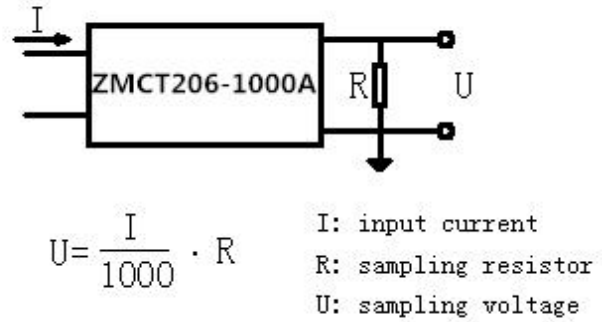


Figure II

1. The typical usage of the product is for the active output (Figure I ). R is a sampling resistor
2. The product can be directly through the resistance sampling, easy to use (Figure II ).