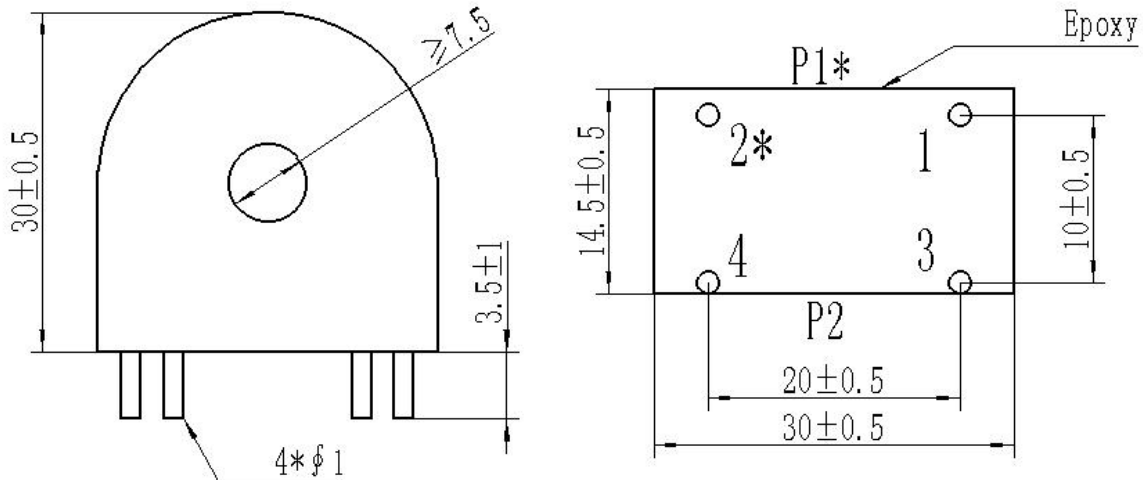


# ZMCT146D-1 Current Transformer

Small size, high accuracy, good consistency, For accurate current and power measurement

## Structural parameters:



**“\*” means “same polarity”**

Front view

Bottom view

## The main technical parameters:

Model	ZMCT146D-1
input current	0~100A (sampling resistor 10Ω)
Rated output current	10mA at input 10A
turns ratio	1000:1
phase angle error	≤20' (Sampling resistor 10Ω)
linear range	0~100A (sampling resistor 10Ω)
linearity	≤0.2% (5%~120% of 10A)
Permissible error	-0.2% ≤ f ≤ +0.2% (input 5A, sampling resistor 10Ω)
isolation voltage	3000V
application	Measurement or protection
Encapsulation	Epoxy
Outer casing material	Flame retardant PBT
operating temperature	-40°C ~ +80°C

Direction for use:

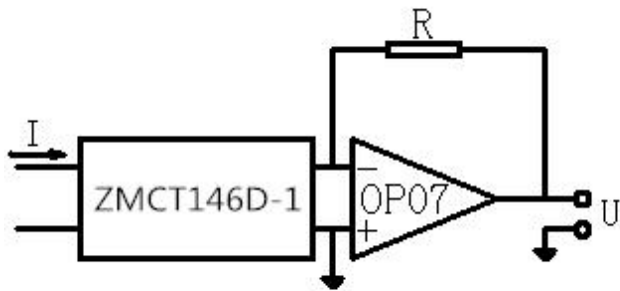


Figure I

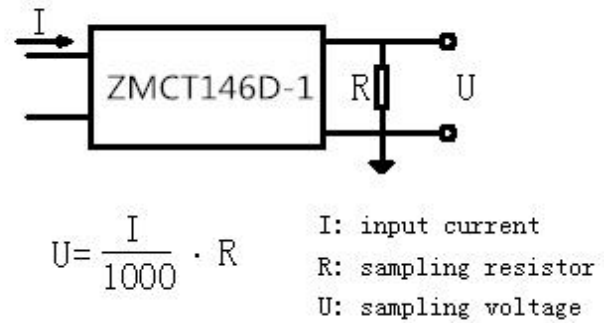


Figure II

1. Typical usage is shown in Figure 1 and Figure 2. R is a sampling resistor.
2. Empty pin can not be grounded.