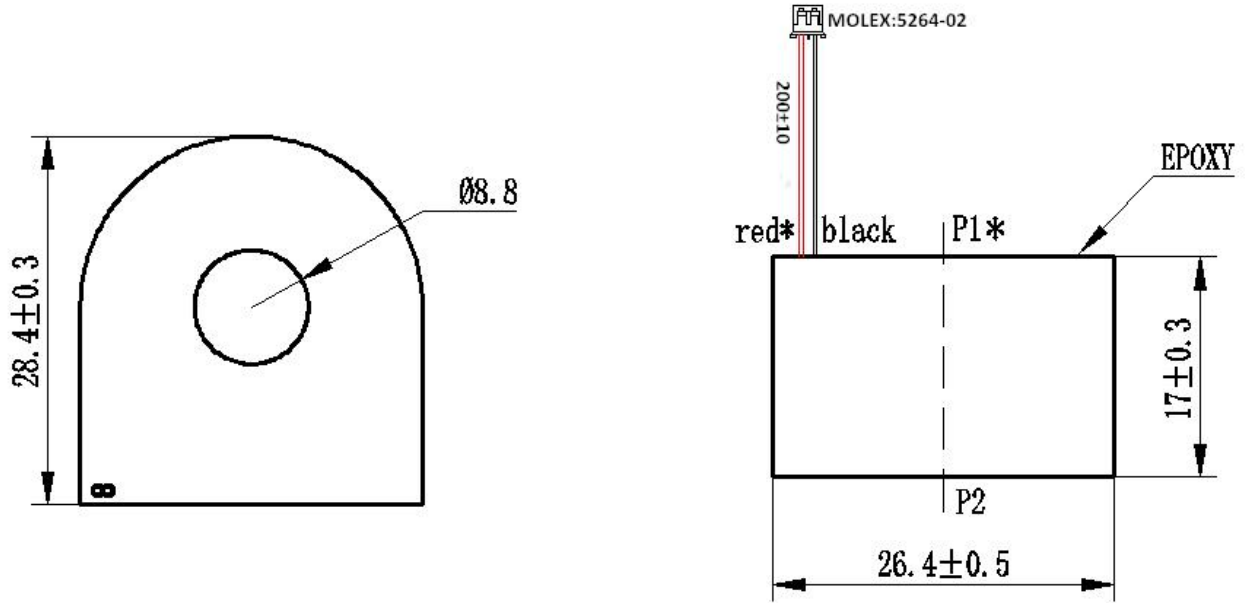


# ZMCT124H Current transformer

Small size, high accuracy, food consistency, For accurate current and power measurement

## Structural parameter:



Front view

Bottom view

## The main technical parameters:

Model	ZMCT124H
input current	0~60A(10Ω)
Rated output current	5mA at input 5A
Turns ratio	1000:1
phase angle error (Rated input)	≤30' (input 5A, sampling resistor 10Ω)
Accuracy class	0.2
linearity	≤0.2%(5%dot~120dot of 5A)
Permissible error	-0.2% ≤ f ≤ +0.2% (input 5A, sampling resistor 10Ω)
Isolation voltage	4500V
Application	measurement or protection
Encapsulation	Epoxy
Installation	PCB mounting (Pin length>3mm)
operating temperature	-40℃~+85℃

Direction for use:

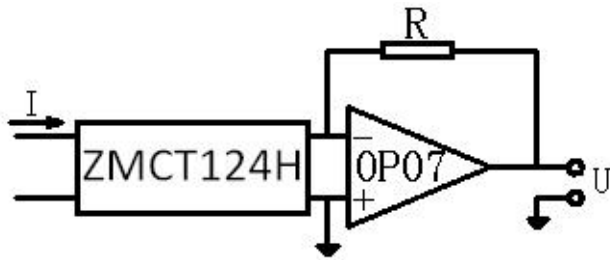


Figure I

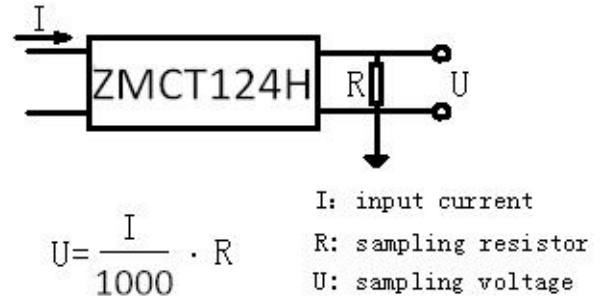


Figure II

1. The typical usage of the product is for the active output (Figure I ). R is a sampling resistor. C & R is for phase compensation.
2. The product can be directly through the resistance sampling, easy to use (Figure II ).