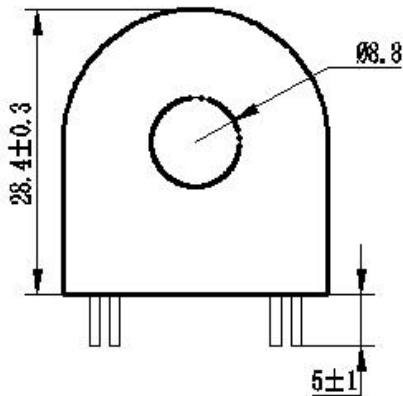


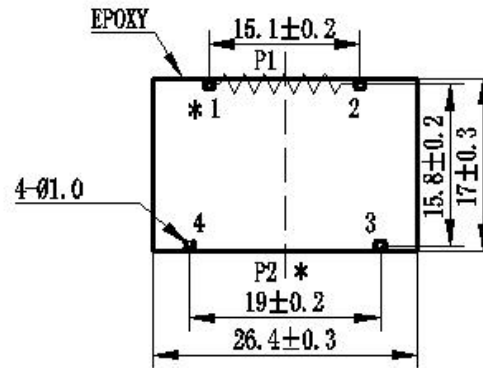
# ZMCT124A Current transformer

Small size, high accuracy, good consistency, for power measurement and protection

## Structural parameter:



Front view



Bottom view

## The main technical parameter:

Model	ZMCT124A
input current	0~80A (100Ω)
Rated output current	8mA at 20A
turns ratio	2500:1
phase angle error (rated input)	≤15' (100Ω)
linearity	0.1%
Accuracy class	0.2
isolation voltage	3000V
application	Measurement
Same polarity	P1、2
Encapsulation	Epoxy
installation	PCB mounting
operating temperature	-40°C~+85°C

Direction for use:

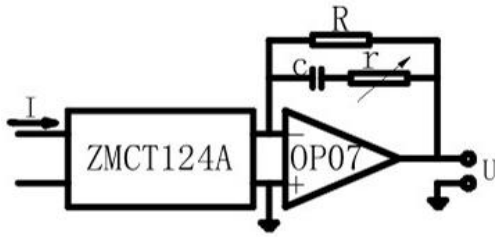


Figure I



$$U = \frac{I}{2500} \cdot R$$

I: input current  
 R: sampling resistor  
 U: sampling voltage

Figure II

1. The typical usage of the product is for the active output (Figure I ). R is a sampling resistor, c and r is used for phase compensation.
2. The product can be directly through the resistance sampling, easy to use (Figure II ).
3. The instructions are for reference only, specific parameter is subject to specifications (acknowledgment).