

Approval Sheets

Approved by

Item : 20A DC immune CT

Model No.: ZMXQD09

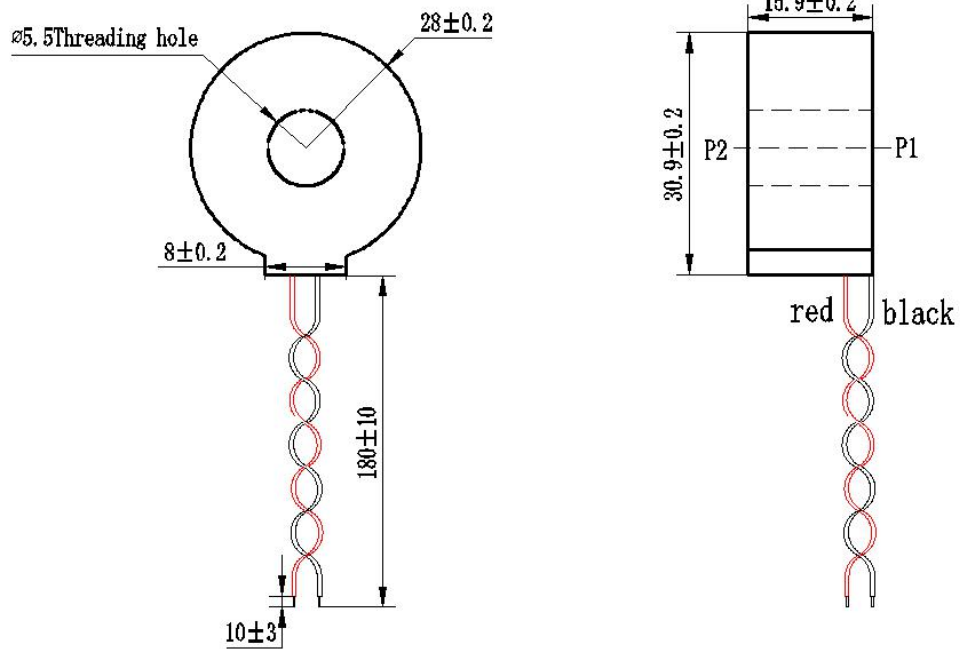
Customer Code: 662000228

Drawn by	Check by	Approved by
		<u><i>Signed</i></u>

1. Specification

Characteristics	Values
Operating frequency	50 Hz ~ 400 Hz
Operating temperature	-40°C ~ 85°C
Relative humidity	≤95%
Rated primary current I_p	1A
Maximum primary operating current I_{max}	20A
Testing current for DC component 20A/Root 2	<3%
Rated second current	0.5mA
Transformation ratio	2000:1
User supplied burden resistor	30Ω
HI-POT (center OD hold to leadwire)	3000Vrms, 1min.
Insulation resistance	>500MΩ/500Vdc
Current error value	±1%

2. Structure and Size



Leads out : UL AWG26, 300V Rating, 105°C. 180±10mm long out of trafo with 10 mm±3mm tinned ends

Dimension unit: mm, Dismensional Tolerance: ±0.2mm(Unless specified)

3. Circuit Schmatic

