

Approval Sheets

Approved by

Item : 100A DC immune CT

Model No.: ZMXQD08-1

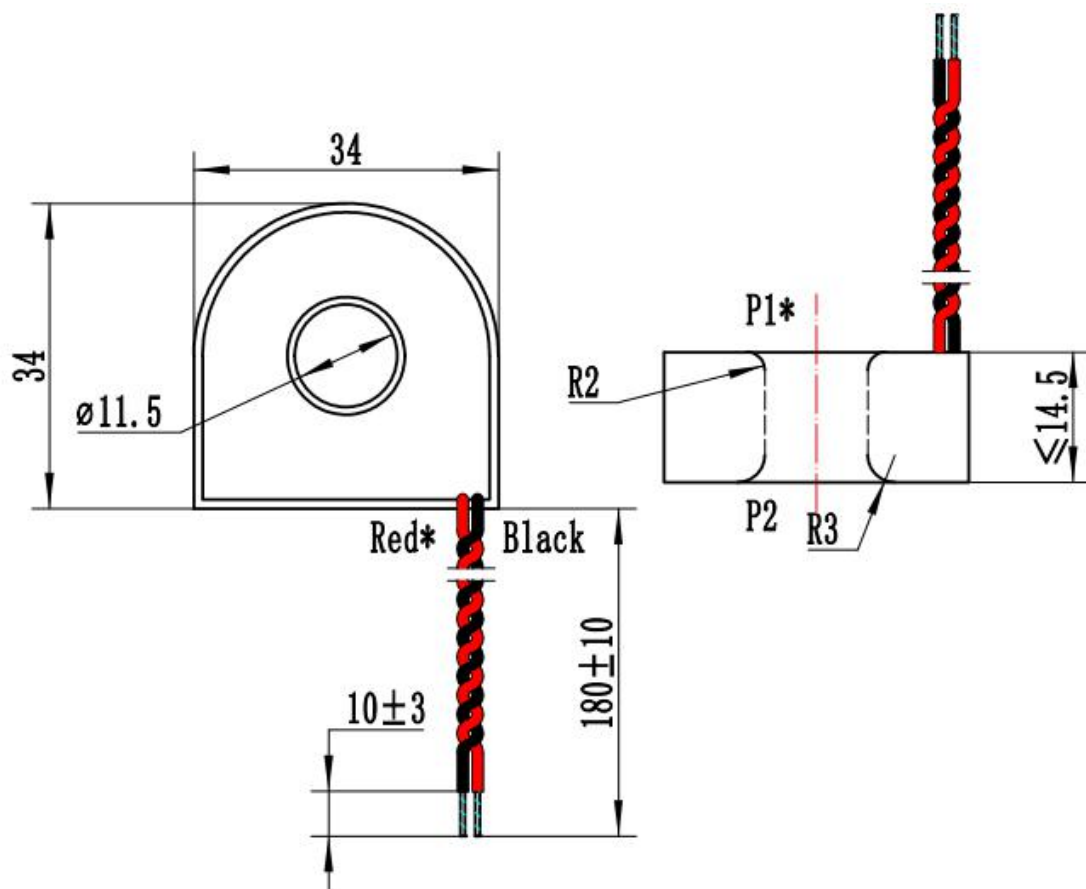
VAC No.: T60404-E4626-X101

Drawn by	Check by	Approved by
		<u>Signed</u>

1. Specification

Characteristics	Values
Operating frequency	50 Hz ~ 400 Hz
Operating temperature	-40°C ~ 85°C
Relative humidity	≤95%
Rated primary current I_p	100A
Maximum primary operating current I_{max}	100A
Testing current for DC component 100A/Root 2	<3%
Rated second current	40mA
Transformation ratio	2500:1
User supplied burden resistor	7.5Ω
HI-POT (center OD hold to leadwire)	4000Vrms, 1min.
Insulation resistance	>500MΩ/500Vdc
Internal resistance	70±10Ω
Accuracy class	1.0class

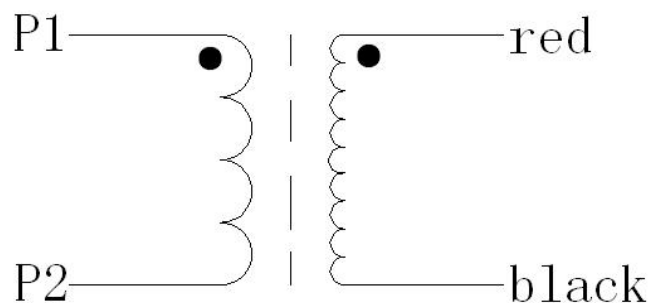
2. Structure and Size



Note: Dimension Unit: mm

Dimension Tolerance ± 0.2 mm (Unless Specified)

3. Circuit Schematic



4.Material List:

No.	Material	Spec. model	UL code	Manufacturer
1	Cobalt-based Nanocrystals	20*25*6.5mm	/	ZEMING
2	Core shell	PBT	E332375	NANTONG ORIENT Plastics
3	case	PBT, Black	E59481	CHANGCHUN PLASTICS
4	Winding	0.16mm, 2500T	E164502	ZHUHAI RONSEN SUPER MICR O-WIRE CO.,LTD
5	Epoxy resin	TXH-9201-10 epoxy resin insulating compound, black	E196959	TIANJIN XINQIAO INSULATING MATERIAL CO LTD
6	Leading wires	UL1569-26#, Red & Black	/	ANHUI PINZHI
7	Tape	yellow, Flame retardant, Environmental protection	E328315	SHENZHEN XINHUAHUI